

HSD820V2H3-E

High-speed outdoor dome, 1080p, 30x Optical Zoom, SFP interface

- ✓ 1/2.8" Progressive scan CMOS
- ✓ 2 MP @ 60 fps
- ✓ 30x Optical zoom / 12x digital zoom
- ✓ Combo port with SFP slot
- ✓ 120 dB WDR
- ✓ Quad-stream H.264 and MJPEG video
- ✓ 360° Continuous rotation
- ✓ 256 Presets / 8 programmable cruises
- ✓ 16 Privacy masks, mosaic masking supported
- ✓ ONVIF Profile S conformant
- ✓ NTCIP protocol support

Description

The HSD820v2H3-E is an outdoor high-speed PTZ dome camera with exceptional imaging controls providing HD pictures (1080p) for highly detailed surveillance footage..

High-speed dome

The HSD820v2H3-E high-speed PTZ dome camera has a 30x autofocus zoom lens with 12x digital zoom. Precision 400° per second pan and tilt drive technology offer almost instant preset positioning. Support for many presets, cruises, and sequences provides for highly flexible manual or automatic operation.

Multistream high definition

The camera has quad-stream capability for simultaneous streaming of H.264/H.264 or H.264/MJPEG. Multiple combinations of resolution and frame rate can be configured to satisfy different live viewing and recording scenarios. At 60 fps, full-HD 1080p streaming with a VGA second stream is possible. Each selected resolution-frame rate combination can be freely set to a stream number.

Open standards

Multiple options are available to easily integrate the HSD820v2H3-E to a video management system. In support of open standards, the camera is compliant with the ONVIF Profile S specification.



Image optimisation

The HSD820v2H3-E provides automatic day/night functionality with configurable Backlight compensation enhances image visibility in difficult lighting situations. The HSD820v2H3-E provides two modes for wide dynamic range. The first mode uses different gain ratios for different illuminated areas to bring details in the darker areas of an image without saturation in the brighter parts. The second mode uses a 2-shutter mechanism, which applies two different exposure settings to capture both darker and lighter areas with excellent details. The resulting image is the optimal aggregation of both exposures. The available image optimisation methods ensure quality pictures at all times. The camera is equipped with an electronic image stabiliser to provide stable pictures even at the highest zoom ratio.

Privacy masks

Privacy masks cover sections of the image. This feature is often requested for such situations as city centre surveillance and point of sale keypads.

Fiber connectivity

In addition to the RJ-45 interface, an SFP interface comes standard with the HSD820v2H3-E for direct connection of fiber to the camera. The XSNet™ range of SFP modules, with options for both single mode and multimode is available.

HSD820V2H3-E

Technical specifications

Camera	
Image sensor	1/2.8" Progressive scan CMOS
Effective pixels	1920 (H) x 1080 (V)
Minimum scene illumination	0.35 lux color, 0.09 lux (b/w), 1/30 s shutter, 30 IRE, F1.4
Shutter speed	1 - 1/10000 s
Lens	30x Optical zoom, F1.4 (wide), F4.7 (tele)
Lens focal length	4.4 to 132 mm
Horizontal field of view	60.5° (W) – 2.3° (T)
Pan / Tilt	
Pan travel	360° Continuous
Tilt travel	-10°~190°
Preset speed	5°~400°/s
Manual speed	0.5°~90°/s
Presets	256 Presets
Preset accuracy	0.225°
Preset position calibration	Day of week and time
Cruise	8
Sequence	8
Autopan	4
Speed by zoom	On/Off
Resume after power loss	Yes
Home function	Preset, sequence, autopan, cruise
Autoflip	Off / mechanical flip / image flip
Auto calibration	Pan and tilt position by schedule
PTZ position OSD	Off / on / compass only
Functions	
Privacy masks	16
Text and picture overlay	Date, time, date & time, 3x subtitle (72 characters each), text string (72 characters), preset title, image, image transparency
Video motion detection	On / off / by schedule
Video motion detection alarm	Alarm output, record video clip, send alarm message, upload image
Network failure detection	On / off / by schedule
Network failure detection alarm	Alarm output, record video clip, send alarm message, upload image
Periodical event	On/Off
Periodical event action	Upload image
Audio detection	On / off / by schedule
Audio detection alarm	Alarm output, record video clip, send alarm message, upload image
Recording	On / off / by schedule
Recording destination	SD card/ Network share

HSD820V2H3-E

Technical specifications

Image control				
Wide dynamic range	On/Off			
WDR value	>120 dB (in WDR dual shutter mode)			
Backlight compensation	On/Off			
White balance	Auto/indoor/outdoor/ATW/One Push/manual			
Exposure control	Full Auto, Shutter Priority, P-Iris, Iris Priority, Manual			
Sharpness	Manual			
Exposure compensation	Manual			
Saturation	Manual			
Hue	Manual			
Brightness	Manual			
Contrast	Manual			
Day/Night function	Auto/night/day			
Noise reduction	Off, 3DNR (low, medium, high), 2DNR (On/Off), ColorNR (low, medium, high)			
Auto defog	On/off			
Image stabilisation	On/off			
Digital zoom	12x			
Image rotation	Normal / flip / mirror / rotate clockwise 90° / rotate 180° / rotate counter-clockwise 90°			
Video				
Compression algorithm(s)	H.264 (baseline / main / high profile); MJPEG			
Supported resolutions	1920x1080 (1080p); 1280x1024; 1280x720 (720p); 1024x768; 800x600; 720x576 (D1); 640x480; 352x288 (CIF)			
Quad streaming:	Stream 1	Stream 2	Stream 3	Stream 4
H.264 instances in 50/60fps	1920x1080	-	-	-
(at lower frame rate higher resolution may be possible)	1920x1080	640x480	-	-
	1920x1080	640x480 @30fps	352x288 @30fps	-
H.264 instances in 25/30fps	1920x1080	1920x1080	-	-
(at lower frame rate higher resolution may be possible)	1920x1080	1280x1024	1280x720	-
	1920x1080	1280x1024	1280x720	352x288
MJPEG	One of the above resolution formats in each instances can be MJPEG instead of H.264			
Compression bit rate control	Constant bit rate (CBR), variable bit rate (VBR), LBR			
Output bit rate (per H.264 stream)	Up to 26624 kbit/s			
Number of video output streams	Up to 20 (RTSP)			
Total output data rate (max)	50000 kbit/s			
Video frame rate	1 to 60 fps / 1 to 50 fps			
Analogue video output	PAL/NTSC			
Connector type	BNC (1.0 Vpp in 75 Ω)			
Audio				
Two-way stereo audio	Line in / line out			
Compression	G.711 (μ-law, a-law) / G.726 / AAC / PCM			
Bit rate	G.711: 64 Kbps G.726: 16 Kbps, 24 Kbps, 32 Kbps, 40 Kbps AAC: 128 Kbps PCM: 128 Kbps, 256 Kbps, 384 Kbps, 768 Kbps			
Sample rate	G.711: 8 KHz / G.726: 8 KHz / AAC: 48 KHz / PCM: 8, 16, 24, 48 KHz			
Input level, Output level	Adjustable gain			
Connector type	Multifunction terminal block (input/output/ground)			

HSD820V2H3-E

Technical specifications

Alarm input/output	
Inputs	4x input 0 – 5 V (internal 10 kΩ pull up)
Input type	Normally open / Normally close
Triggered actions	Enable alarm output, send message/notification, upload image, PTZ (Preset/Sequence/Autopan/Cruise), record clip
Outputs	2x Relay, (30 Vdc @ 2 A or 125 Vac @ 0.5 A)
Connector type	Multifunction terminal block (4x input / ground / 2 outputs)
Storage	
Storage options	Micro SDXC card, 64 GB
Network	
Interface(s)	10/100/1000 Mb Ethernet (RJ-45) 100/1000 Mb Ethernet (SFP)
Protocols	IPv4/v6, TCP/IP, UDP, RTP, RTSP, HTTP, HTTPS, ICMP, FTP, SMTP, DHCP, PPPoE, IGMP, PNAC (IEEE 802.1x), QoS
Password levels	User and Administrator
Supported browsers	Internet Explorer (6.0+), Chrome, Firefox, Safari
User accounts	20
Powering	
Power consumption	55 W PoE / 57 W
Power	19.2 - 28.8 Vac / 28 - 48 Vdc / 802.3bt (75 W) Power-over-Ethernet
Connector type	
Environmental	
Operating temperature	-40 °C to +50 °C (-40 °F to +122 °F)
Ingress protection	IP66
Mechanical	
Dimensions	Ø192 x 292 mm (Ø7.6 x 11.5 in)
Weight	2.3 kg (5.1 lbs)
Housing	Aluminium
Color	RAL 9003 (signal white)
Sunshield	ABS / Polycarbonate blend
Bubble	Optically clear polycarbonate
Impact rating	IK10
Order information	
HSD820v2H3-E	High-speed PTZ dome camera, Multiple H.264, 1080p, 30x Opt.Zoom, Outdoor, SFP, DC09

HSD820V2H3-E

Technical specifications

Accessories

WM01A



Bracket, Short Wall Mount, with gasket kit

WM07A



Bracket, Long Wall Mount, with gasket kit

PM01



Bracket, Pole Mount, Thin

PM01 SAE304



Bracket, Pole Mount, Stainless Steel 304

PTM01



Bracket, Adapter, 1 1/2Inch NPT

ECO plug kit /40cm



Ethernet over Coax 100Mb SFP Module, incl. 40cm cable and ferrite cable clamp

XSNet SFP

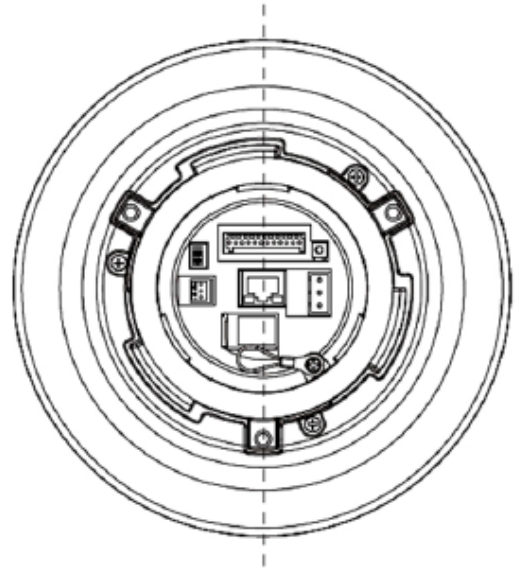
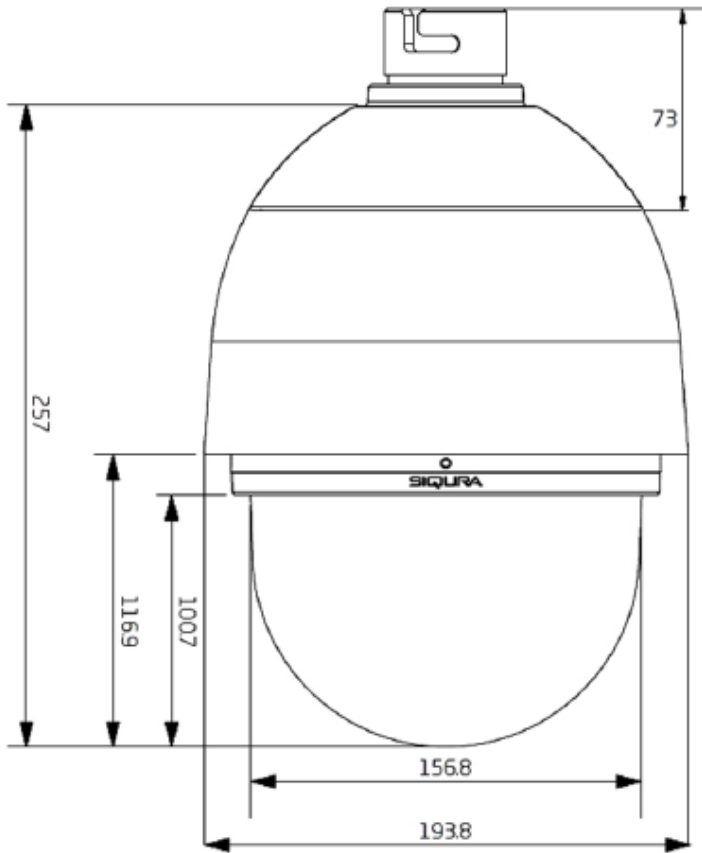


Singlemode or multimode SFP, single or dual fiber, LC, 100Mb or 1000Mb)

HSD820V2H3-E

Technical specifications

Dimensions



The quality management system used in the development, production, sales, and support of this product is ISO 9001 certified by LRQA.

© Siqura B.V. 2017 - Version 1.1 - Subject to modification.

