

# PD1022Z3-EI

Network PTZ dome camera, 20x zoom, 2MP, IR, IP66

- ✓ 1/2.8" Progressive scan CMOS
- ✓ 4.7 ~ 94 mm zoom lens
- ✓ 2 MP @ 60 fps (1920 x 1080)
- ✓ 120 dB WDR
- ✓ Triple-stream H.265, H.264 and MJPEG video
- ✓ Low bit rate encoding
- ✓ Day/Night with IR-cut filter / WDR / BLC
- ✓ Electronic Image Stabilisation
- ✓ ONVIF Profile S conformant



## Description

The PD1022Z3-EI is a compact outdoor PTZ dome camera with exceptional imaging controls providing HD pictures (1080p) for highly detailed surveillance footage.

## Multistream high definition

PD1022Z3-EI series cameras have triple-stream capability for simultaneous streaming of H.265/H.265 or H.265/MJPEG. Multiple combinations of resolution and frame rate can be configured to satisfy different live viewing and recording scenarios. At 60 fps, full-HD 1080p streaming with a D1, 30 fps second stream is possible.

## Open standards

Multiple options are available to easily integrate the PD1022Z3-EI to a video management system. In support of open standards, the camera is compliant with the ONVIF Profile S specification.

## Power source choices

The PD1022Z3-EI can be powered with 12 Vdc or over the network with PoE+ sources.

## Image optimisation

The PD1022Z3-EI provides automatic day/night functionality with configurable thresholds and build-in IR illuminator, for use in low-light situations. Backlight compensation enhances image visibility in difficult lighting situations. The PD1022Z3-EI provides two modes for wide dynamic range. The first mode uses different gain ratios for different illuminated areas to bring details in the darker areas of an image without saturation in the brighter parts. The second mode uses a 2 shutter mechanism which applies two different exposure settings to capture both darker and lighter areas with excellent details. The resulting image is the optimal aggregation of both exposures. The available image optimisation methods ensure quality pictures at all times.

## Privacy masks

Privacy masks cover sections of the image. This feature is often requested for such situations as city centre surveillance and point of sale keypads.

# PD1022Z3-EI

## Technical Specifications

Camera	
Image sensor	1/2.8" Progressive scan CMOS
Effective pixels	1920 (H) x 1080 (V)
Zoom	20x optical zoom, 16x digital zoom
Minimum scene illumination	0.05 lux colour, 0.01 lux B/W (@ F1.6, AGC on)
Shutter speed	1 - 1/30,000 s
Lens	Auto Iris (DC)
Lens type	4.7 to 94 mm, F1.6
Horizontal field of view	61.4° (W) – 2.9° (T)

Pan / Tilt	
Pan travel	360° Continuous
Tilt travel	-5° ~ 90°
Manual speed	Pan: 0.1° ~ 300°/s, tilt: 0.1° ~ 160°/s tilt
Presets	300 Presets
Cruise	4
Sequence	8
Autopan	Yes
Speed by zoom	On/Off
Resume after power loss	Yes
Park function	Preset / Pattern Scan / Patrol Scan / Auto Scan / Tilt Scan / Random Scan / Frame Scan / Panorama Scan
PTZ by scheduled	Preset / Pattern Scan / Patrol Scan / Auto Scan / Tilt Scan / Random Scan / Frame Scan / Panorama Scan
PTZ position OSD	On / off / temporarily

Functions	
Privacy masks	8
Text and picture overlay	Name, Date + time, Day of week, 4x text overlay (44 characters each)
Video motion detection	On / off / by schedule
Video motion detection alarm	Alarm output, record video clip, send alarm message, upload image
Tampering detection	On / off / by schedule
Tampering detection alarm	Alarm output, send alarm message
Exceptions	
HHD full / HHD error	On / off
HHD full / HHD error alarm	Alarm output, send alarm message
Network failure detection	On / off
Network failure detection alarm	Alarm output
IP conflict detection	On/Off
IP conflict detection alarm	Alarm output
Illegal login detection	On / off
Illegal login detection alarm	Alarm output, send alarm message

# PD1022Z3-EI

## Technical specifications

Image control	
Wide dynamic range	On / off
WDR value	>120 dB (in WDR dual shutter mode)
Backlight compensation	BLC, HLC
White balance	Auto / manual / outdoor / indoor / fluorescent lamp / sodium lamp / ATW
Exposure control	Auto (includes limits for exposure level, iris, shutter and gain) Manual Iris priority (includes limits for exposure level, shutter and gain) Shutter priority (includes limits for exposure level, iris and gain)
Slow shutter	On/Off
Focus	Auto / manual / semi-auto
Brightness	Manual
Contrast	Manual
Saturation	Manual
Sharpness	Manual
Day/Night function	Auto / night / day / schedule
Noise reduction	On / off / expert
Defog	On / off
Electronic Image Stabilisation	On / off
Image rotation	Normal/ rotate 180°
Video	
Compression algorithm(s)	H.265 (main profile) / H.264 (basic / main / high profile) / MJPEG
Low bit rate encoding	H.265i, H.264i
Supported resolutions	
Main Stream (up to 50 / 60 fps)	1920×1080, 1280×960, 1280×720
Sub Stream (up to 25 / 30 fps)	704×576, 640×480, 352×288 in 50Hz mode 704×480, 640×480, 352×240 in 60Hz mode
Third Stream (up to 25 / 30 fps)	1920×1080, 1280×960, 1280×720, 704×576, 640×480, 352×288 (50Hz mode) 1920×1080, 1280×960, 1280×720, 704×480, 640×480, 352×240 (60 Hz mode)
MJPEG	Available in sub stream or third stream
Compression bit rate control	Constant bit rate (CBR), variable bit rate (VBR)
Output bit rate (per H.264 stream)	Up to 16384 kbit/s
Number of video output streams	Up to 20 (RTSP)
Total output data rate (max)	50000 kbit/s
Audio	
Two-way audio	line in / line out
Compression	G.726 / G.711 (μ-law, a-law) / MP2L2/ PCM/ G.722.1
Input level	Adjustable gain
Connector type	Multifunction terminal block (IN, GND, OUT)
Alarm inputs/output	
Input	2x 0 - 5 V
Output	2x
Operational modes	Normally open; normally closed
Connector type	Multifunction terminal block Input: IN1, IN2, GND Output: OUT1, COM1, OUT2, COM2

# PD1022Z3-EI

## Technical specifications

### Storage

Storage options	Supports up to 128 GB capacity of micro SD/SDHC/SDXC memory
-----------------	---

### Network

Interface	10/100 Ethernet
Protocols	IPv4/IPv6, HTTP, HTTPS, 802.1x, Qos, FTP, SMTP, DNS, DDNS, NTP, RTSP, RTCP, RTP, TCP/IP, DHCP, PPPoE
Password levels	User and Administrator
Connector type	RJ45

### Management

Supported browsers	IE7+, Chrome18+, Firefox5.0+, Safari5.02+
Security	HTTPS, IP filter, login lock, PNAC (IEEE802.1x)
Protocols	UPnP, SNMP, Bonjour, ONVIF
Password levels	Administrator / operator / user
User accounts	32

### Powering

Power consumption	18 W
Power	12 Vdc, PoE+ (IEEE 802.3at, class 4)
Connector type	DC barrel connector

### Environmental

Operating temperature	-30 °C to +65 °C (-22 °F to +149 °F)
Ingress protection	IP66
IR distance	50 m

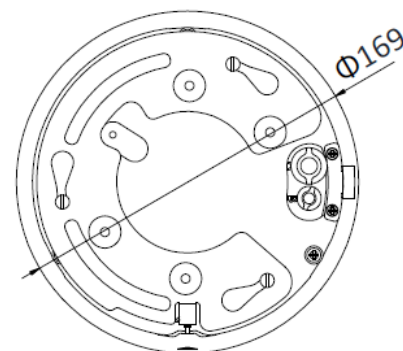
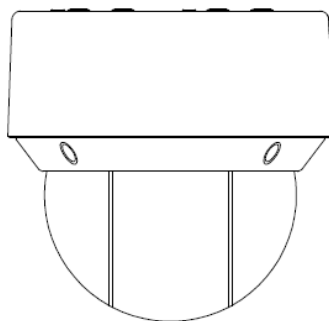
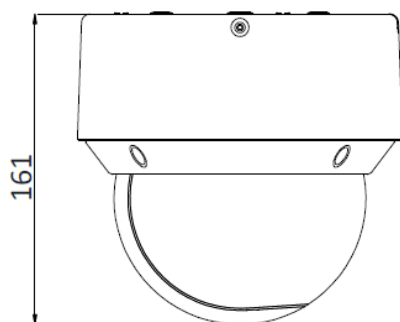
### Mechanical

Dimensions	Ø169 x 161 mm (Ø6.65 x 6.34 in)
Weight	2.45 kg (5.4 lbs)
Housing	Aluminum
Colour	RAL 9003 (signal white)

### Order information

PD1022Z3-EI	Network PTZ dome camera, 20x zoom, 2MP, IR, IP66
-------------	--

### Dimensions



The quality management system used in the development, production, sales, and support of this product is ISO 9001 certified by LRQA.

© Siquira B.V. 2017 - Version 1.0 - Subject to modification.



SECURITY SOLUTIONS